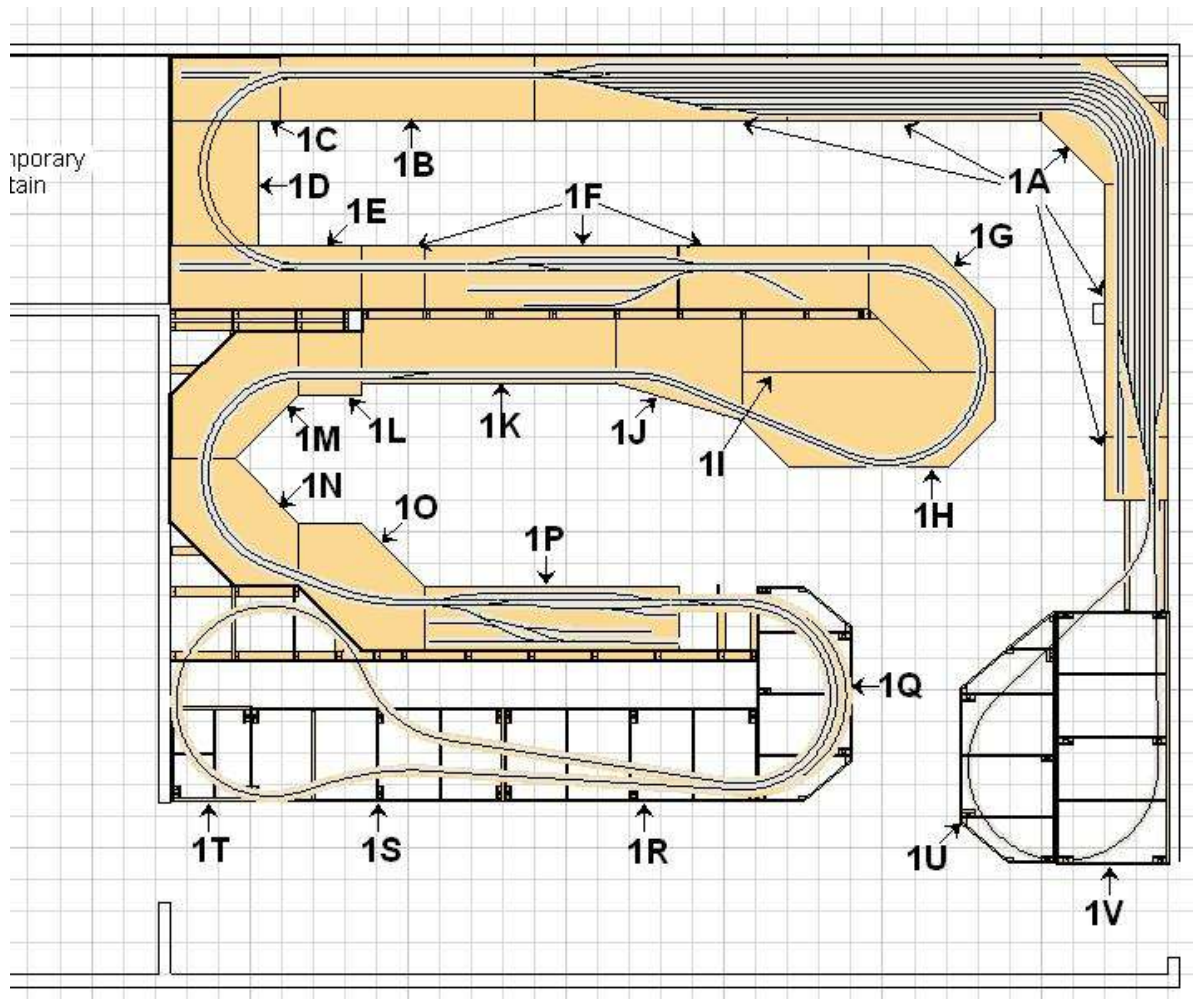
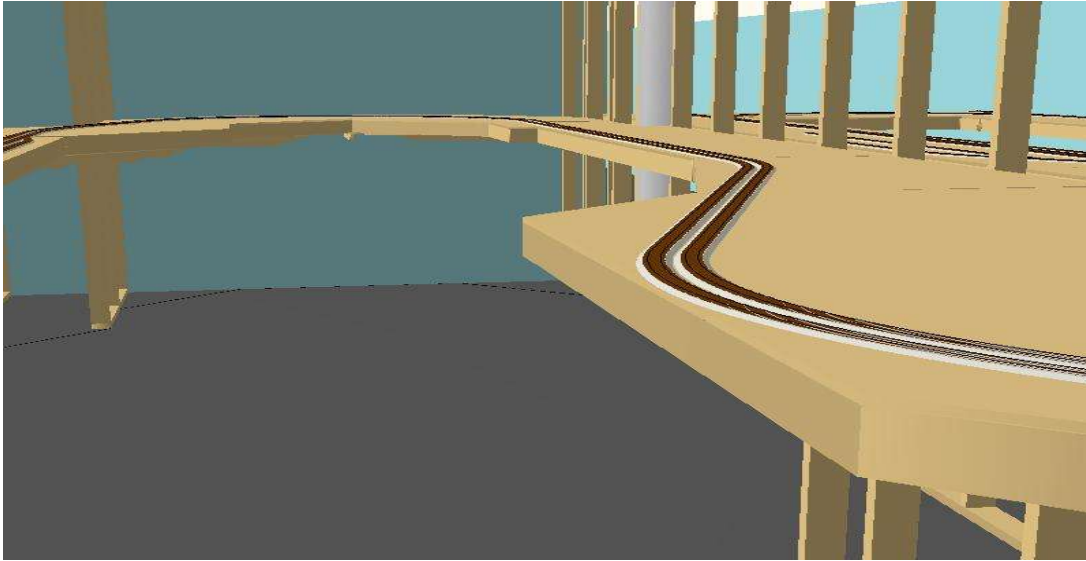
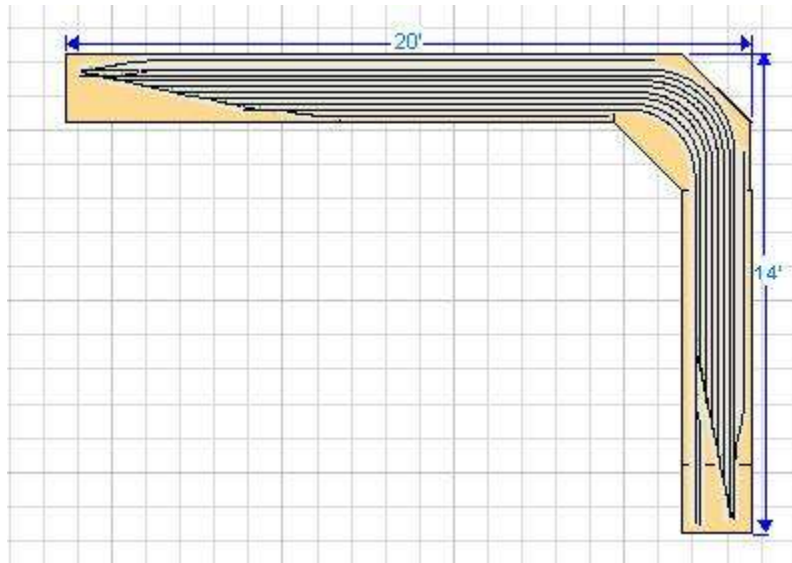


# Module Construction and Location



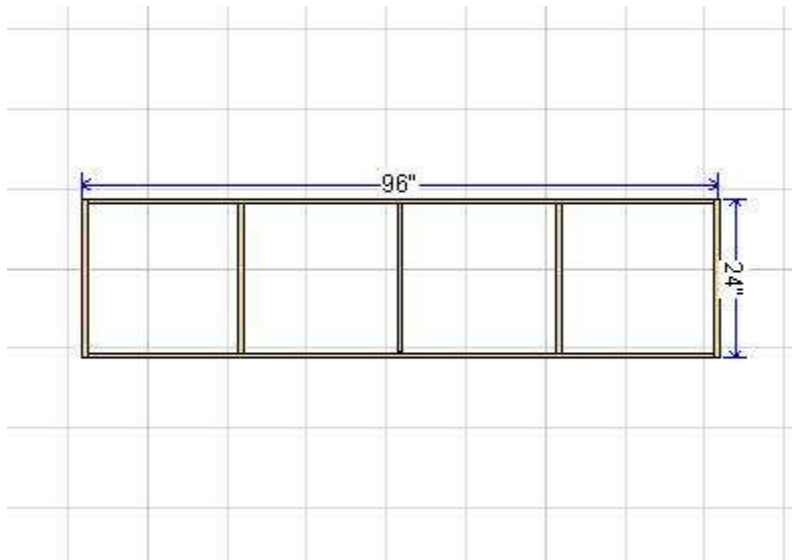
# Module 1A



Yard from old layout.

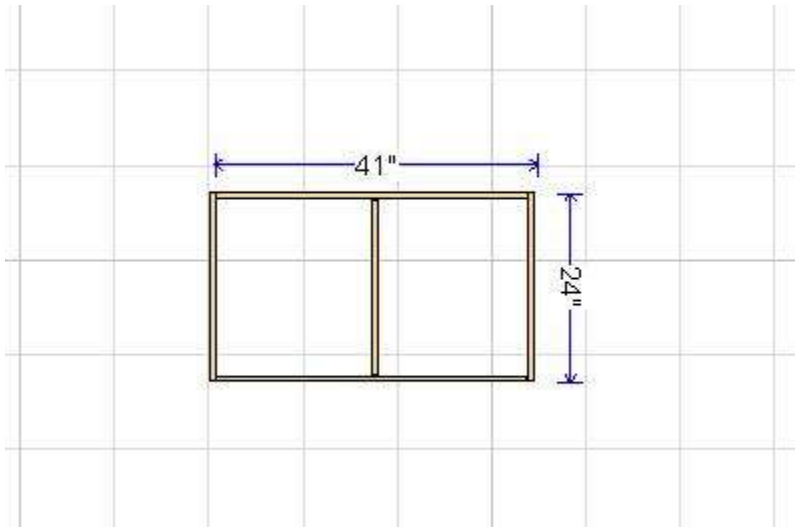
---

# Module 1B



Standard 2'x8' module

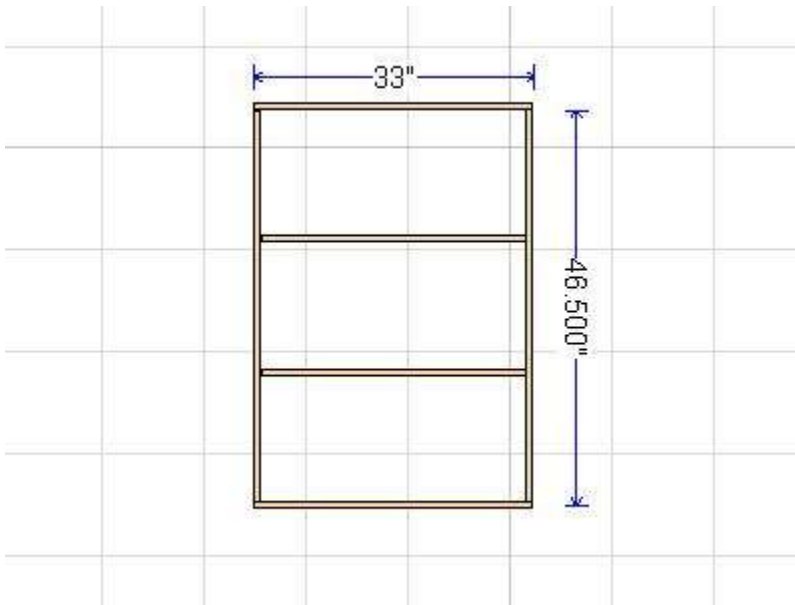
## Module 1C



Approximately 41"x24"  
Build to fit location

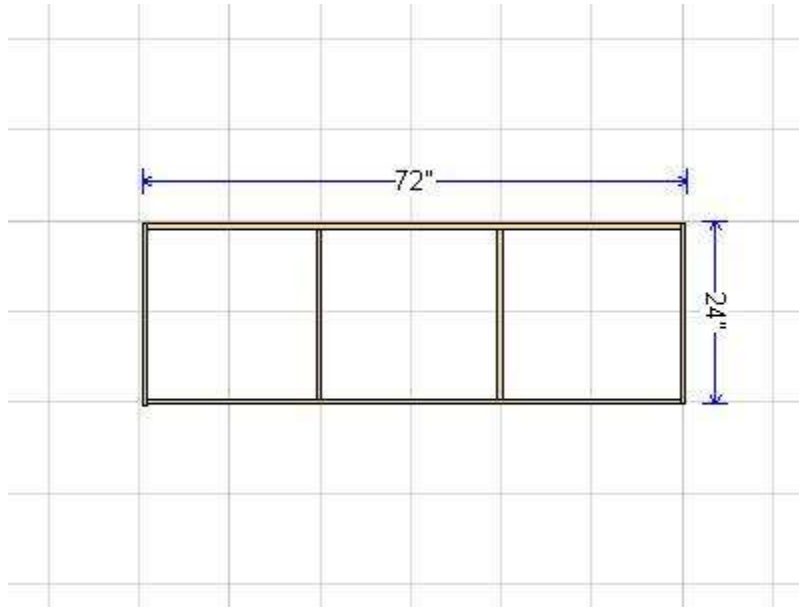
---

## Module 1D



Approximately 33"x46.5"  
Build to fit location  
Temporary module to be removed once stage is operational

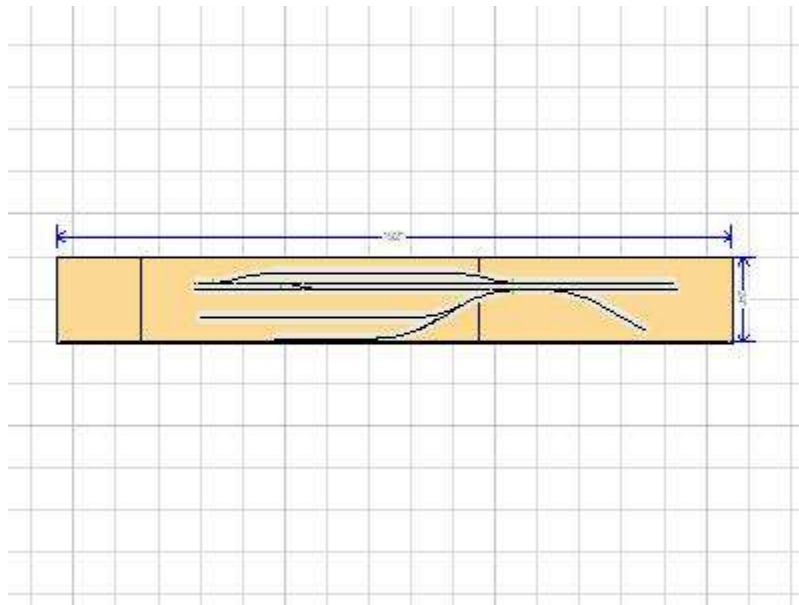
# Module 1E



Standard 2'x6' module

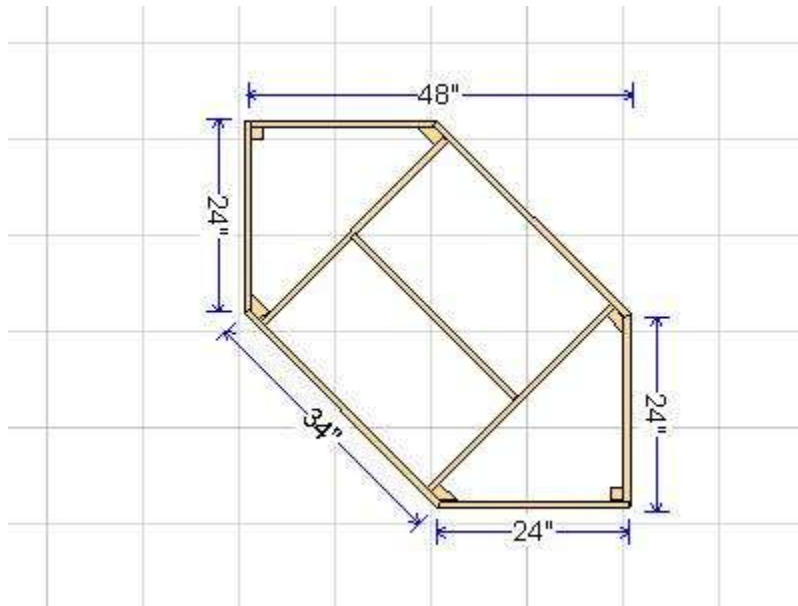
---

# Module 1F



Jim Gibson's modules from old layout  
16'x2'

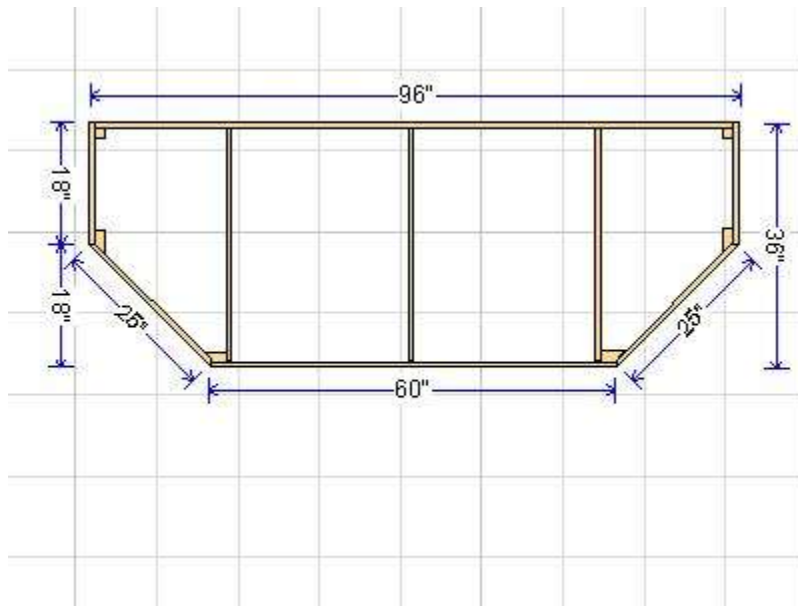
# Module 1G



Standard Corner module

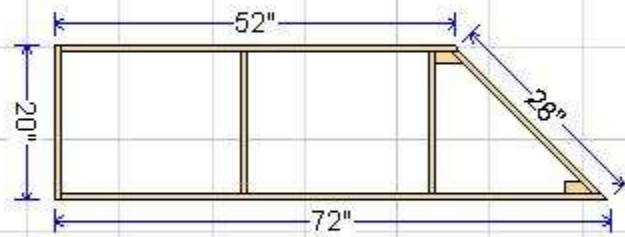
---

# Module 1H



Non-Standard Corner Module

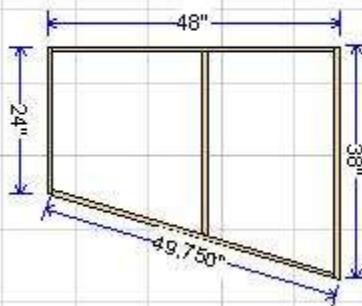
# Module 1I



Approximate dimensions will need to build to fit.

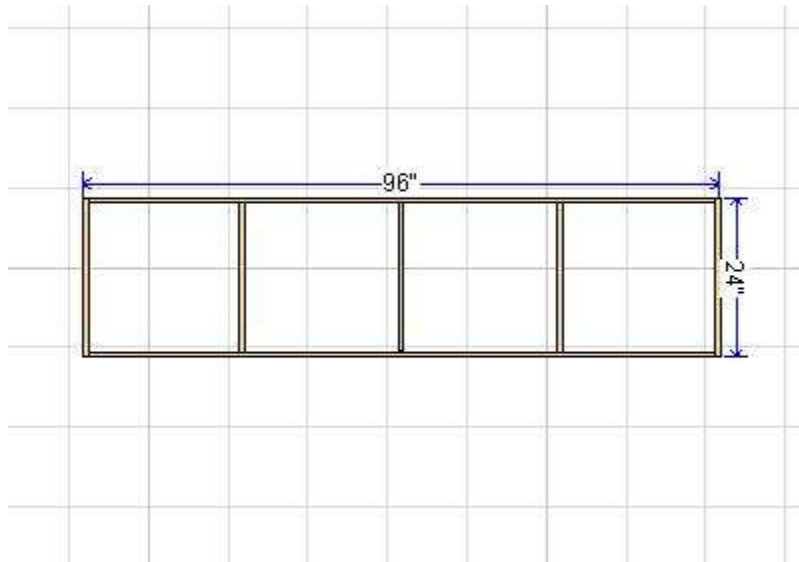
---

# Module 1J



Approximate dimensions will need to build to fit.

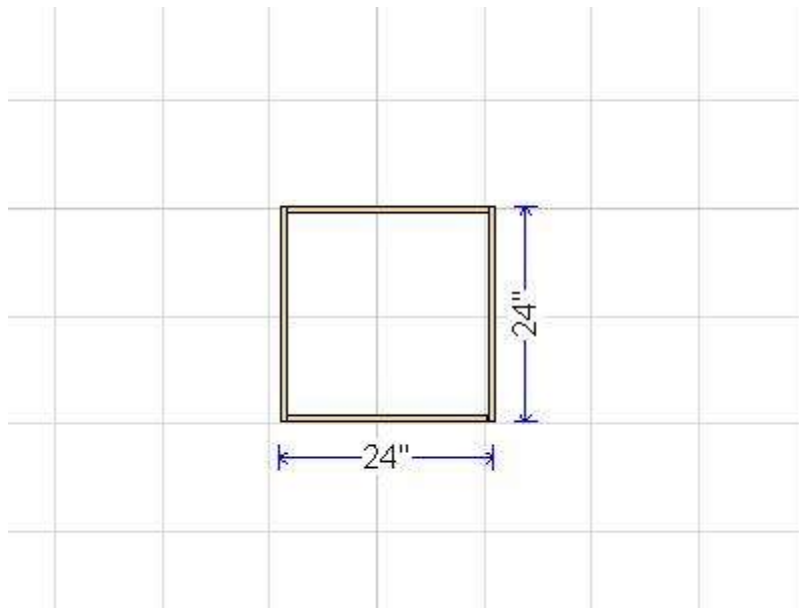
# Module 1K



Standard 2'x8' module

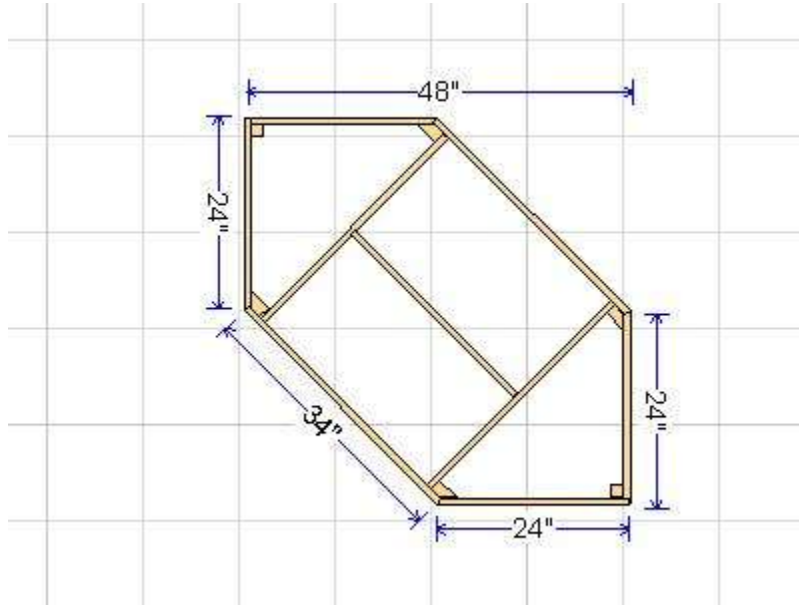
---

# Module 1L



Standard 2'x2' module

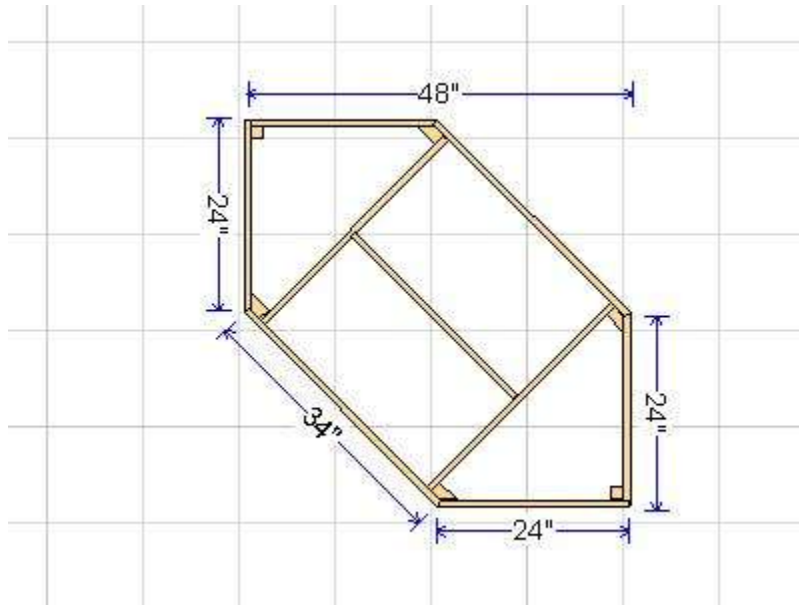
# Module 1M



Standard Corner Module

---

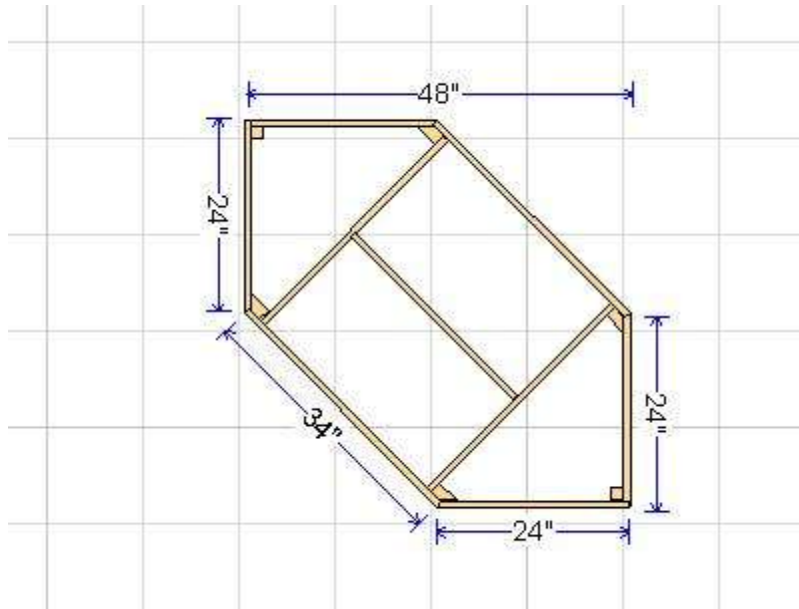
# Module 1N



Standard Corner Module



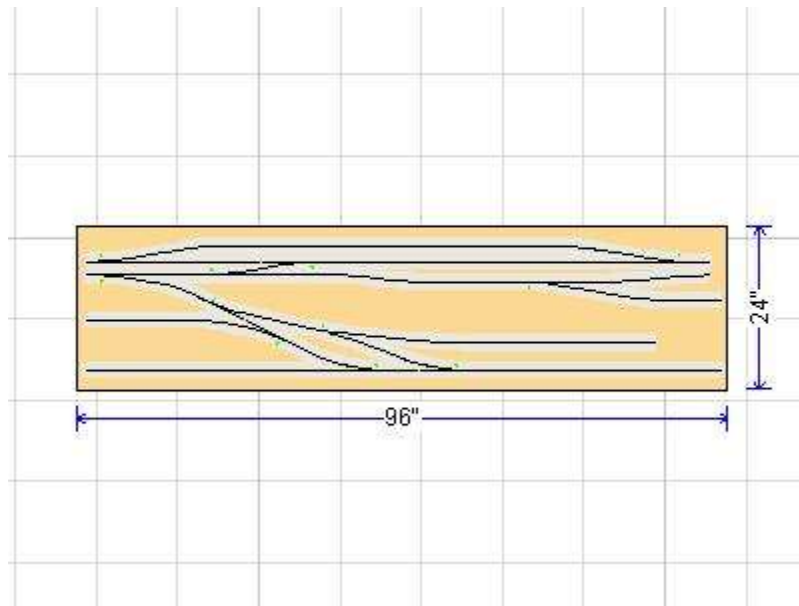
# Module 1O



Standard Corner Module

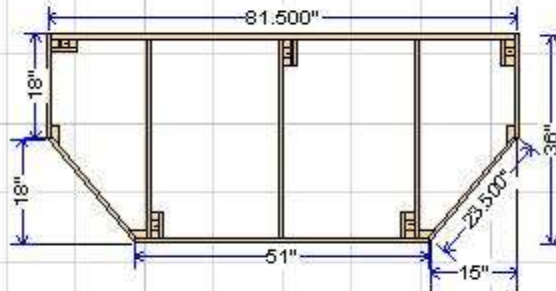
---

# Module 1P



Jim Frankenfeld Module from old layout  
Standard 2'x8'

# Module 1Q

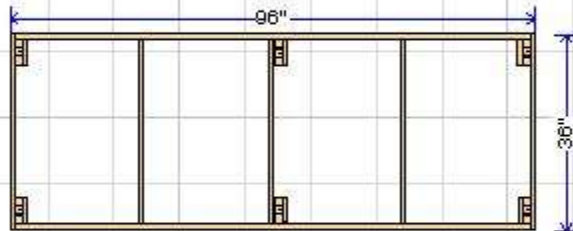


## Non-Standard Corner Module

Dimension are approximate will need to build to fit  
Build with legs / top at 35.5" above floor  
Do not install plywood top  
May need to install braces in the corners.

---

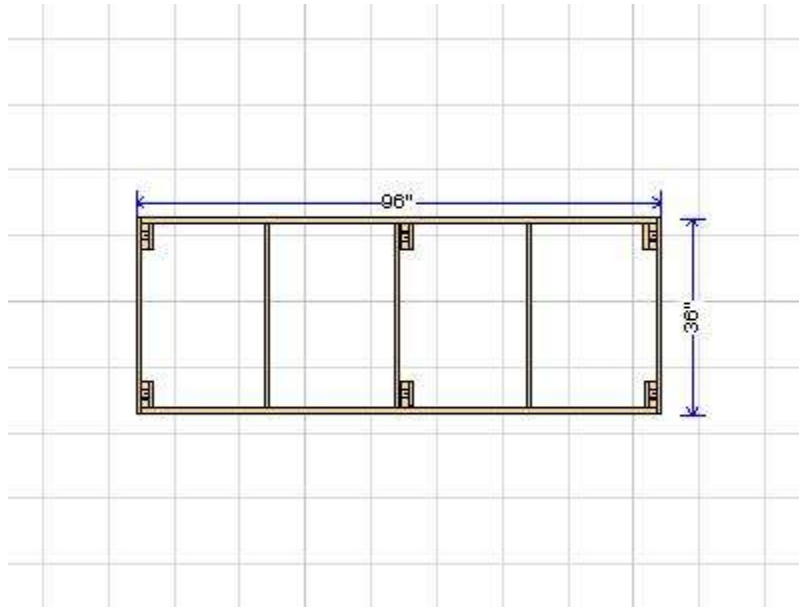
# Module 1R



## 3'x8' module

Build with legs / top at 35.5" above floor  
Do not install plywood top  
May need to install braces in the corners.

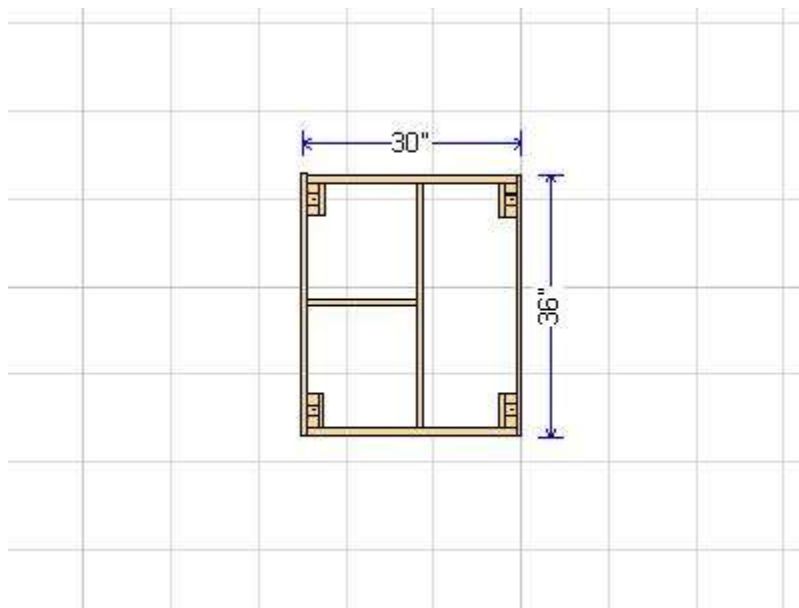
# Module 1S



**3'x8' module**  
**Build with legs / top at 35.5" above floor**  
**Do not install plywood top**  
**May need to install braces in the corners.**

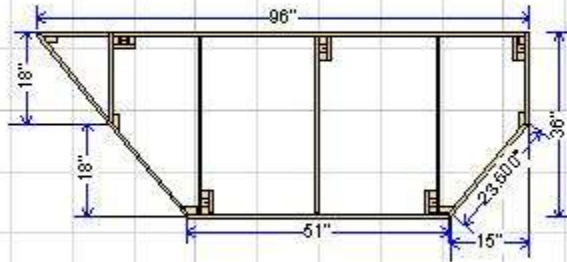
---

# Module 1T



**Build with legs / top at 35.5" above floor**  
**Do not install plywood top**  
**May need to install braces in the corners**

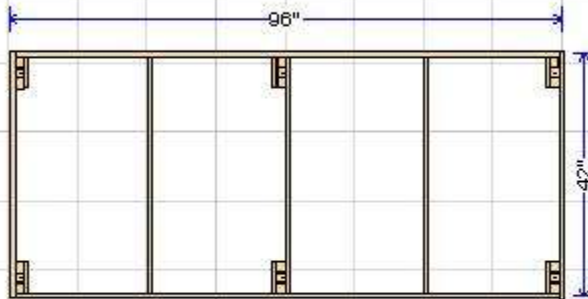
# Module 1U



**Build with legs / top at 35.5" above floor**  
**Do not install plywood top**  
**May need braces in corners**

---

# Module 1V



**Built with legs / top at 35.5" above floor**  
**Do not install plywood top**  
**May need braces in corners**

